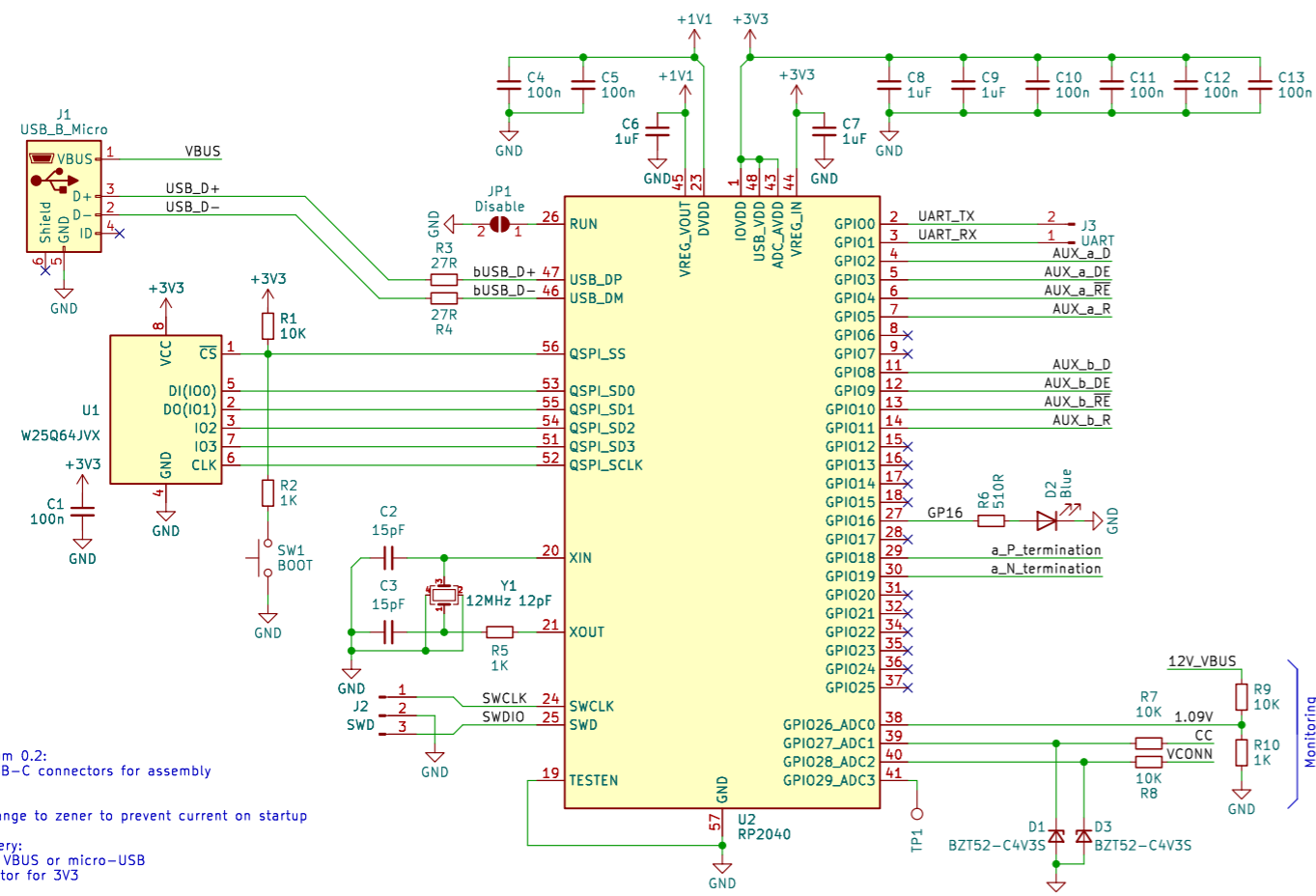


DP-AUX Emulator V0.3C

RP2040

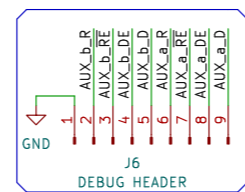


Changes from 0.2:
different USB-C connectors for assembly

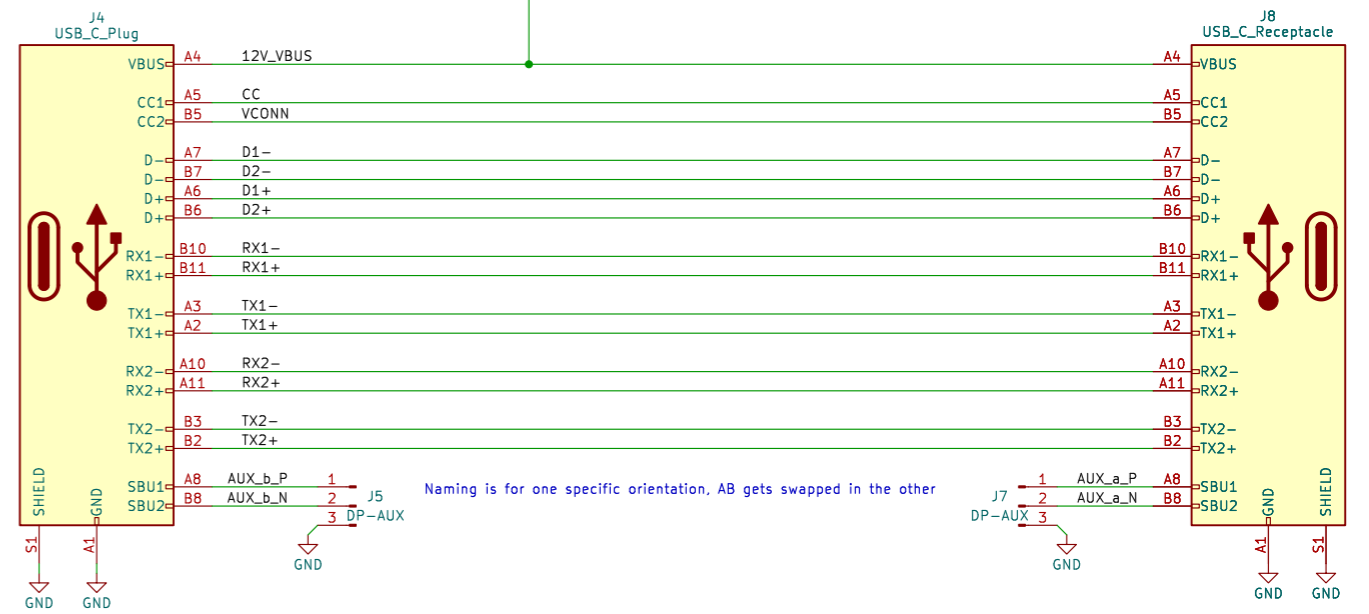
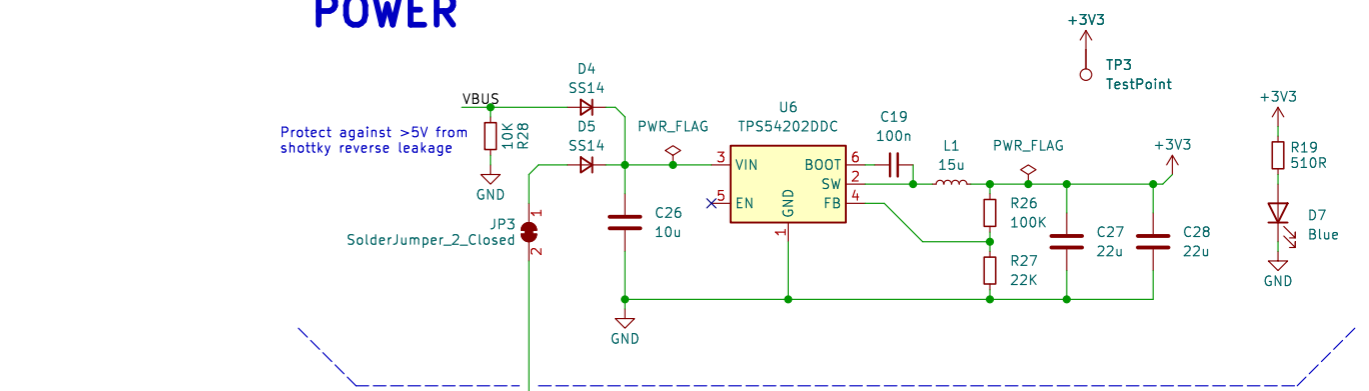
Monitoring:
CC pins change to zener to prevent current on startup

Power delivery:
Power from VBUS or micro-USB
Buck regulator for 3V3

"4.3V" zeners limit to below 3.3V because of the very low current



POWER



DP-AUX

